

AQUAPHOR®

AQUAPHOR CRYSTAL SOLO MANUAL

Aquaphor Crystal Solo is an innovative single stage water filter for drinking water purification. The replacement filter cartridge is manufactured utilizing carbon block technology as a filter matrix media consisting of coconut granulated activated carbon (GAC) and the ion-exchange fiber Aqualen™. The microcrystalline cluster silver is used as a bactericide in the cartridge.

Modern compact design

Thanks to the unique patented design of the collector, and using a new concept of 'block-cartridge', the Aquaphor Crystal Solo is very compact.

Bacterial safety

For the first time in water purification the replacement filter cartridge is made as a self-contained 'block-cartridge' in durable plastic housing. While replacing the cartridge, you are not only changing the filter element but also the whole body of the system as well. This guarantees you an additional protection from bacteria growth.

Brand new line of replacement cartridges

The amount of sorbent in the cartridges is 10% greater than standard 10-inch

cartridges. This makes the purification process more effective while also increasing the life span of the filters.

Single faucet

Modern ceramic core faucet simplifies use of the water purifier.

Easy cartridge replacement

No tools needed to replace the cartridge. Easy replacement with less effort.

Performance data:

Residual active chlorine	100%
Benzene	95%
Phenol	98%
Pesticides	97%
Heavy metals, (lead, cadmium)	95%

Technical characteristics

Model	Aquaphor Crystal Solo	Aquaphor Crystal Solo B
Recommended use	Filtering drinking water	Filtering and conditioning drinking water using hollow fiber membrane, removal of micro-particles smaller than 0.1 micron
Replacement cartridge	K2	K7B
Overall dimensions, no more than	Diameter: 90 mm Height: 345 mm	Diameter: 90 mm Height: 345 mm
Maximum working water pressure	0.63 MPA (95 PSI)	0.63 MPA (95 PSI)
Water temperature	+5...+38 °C	+5...+38 °C
Resource replacement cartridge*	4000 liters, but not more than 1 year	3000 liters, but not more than 1 year
Recommended filtration rate (performance)	2.5 l/min	2.5 l/min
Weight, not more	1.0 kg	1.0 kg

Package contents (fig.1)

Manifold (2)	1pc.	Clean water faucet (1)	
Connecting tube (14)	1pc.	with a set of washers	
Connecting tube (1)		and 3/8 to 1/2 adapter	1pc.
with pressed connection		Replacement filter	
(cone sleeve) (11)	1pc.	cartridge (16)	1pc.
Shut off valve (3)	1pc.	Manual	1pc.
O-ring (3mm) (4)	1pc.	Packaging	1pc.

INSTALLATION GUIDE

Warning! Before installing the filter, supply pressure measurement is needed. In case your incoming water pressure exceeds 6.5 atm (96 psi) you will have to install a pressure regulator (not included in the set).

Find appropriate locations for the drinking water faucet (1), the filter itself (2) and shut off valve (3) (fig.1).

NOTE: the tubing should be placed easily and without fracture, and it should be safe from damage and of being pulled out of the fittings. The filter should be kept away from sources of heat (washing and dishwashing machine, kitchen stove, boiler, hot water pipes).

Warning! Use only the ceramic core faucet (drinking water faucet) (1) supplied. Aquaphor cannot guarantee proper filter function in case you use any other faucets. Do not use excessive force to tighten; the manufacturer is not responsible for installation or connection issues. It is recommended to have the filter installed by a professional.

Connecting to the water supply line (fig. 1):

- shut off the cold water line and dump excess pressure;
- make sure you have the o-ring in the cap nut connection node (3);
- install shut off valve (3) to the water supply line. Use thread seal tape if necessary;

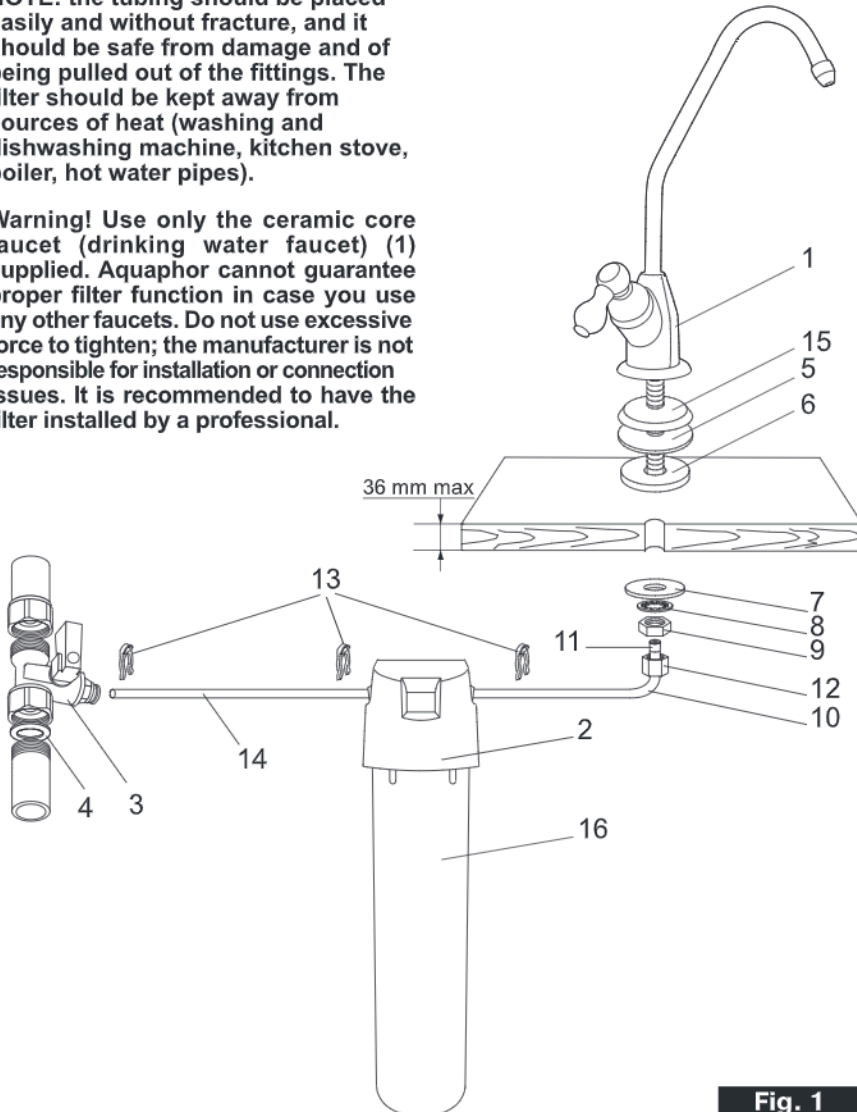


Fig. 1

Warning! Don't apply any excessive force for the screw-tightening while connecting the shut off valve.

- drill a 12mm diameter hole in the determined place;
- string decorative support (4), rubber seal and rubber washer (5) on the faucet threaded bushing (1);
- screw out the nut (12) off the faucet threaded bushing (1);
- install the faucet (1) using washers provided (6; 7; 8) and screw on the fastening nut (9) tight;
- insert the tubing (10) with conical bushing (11) into the faucet threaded bushing (1) and screw on the cap nut (12) tight against stop;
- insert loose end of tubing into the filter as 'out' arrow shows. Fix the tubing with the stopping clip (13);
- lubricate the end of John Guest tube with water (14) and then insert it into the filter as 'in' arrow shows, up to the pipe stop and secure it with the stopping clip (13);
- pull out the stopping clip, insert the other end of John Guest tube (14) into shut off valve outlet connection and then put the stopping clip back (13);

Warning! Lubricated tubes should be inserted up to the pipe stop to a depth no less than 15mm. Pull to check that the connection is secure. It's important not to confuse 'in' and 'out' directions of the flow, pay attention to the arrows on the manifold.

Replacement cartridge installation

- remove the shrink wrap;
- insert the new cartridge into the housing to a stop and, pressing it slightly, rotate the cartridge clockwise to a click. (fig. 3).

After the filter is installed

- Turn on the cold water line and check all of the connections for any leaks.
- Open the clean water faucet (1).
- Use shut off valve (3) to adjust water flow according to the recommended filtration rate.
- Discard the filtered water for 10 minutes.
- Close the clean water faucet and leave the filter for 10 minutes.
- Discard the filtered water again for 50 minutes.

- Close the clean water faucet.
- Check all of the connections for any leaks.
- Your filter is ready for operation.

Cartridge replacement

The filter doesn't need any special treatment except timely cartridge replacement during its working lifespan.

- Shut off water supply and open clean water faucet to dump excess pressure.
 - Press and hold the locking button, turn the cartridge counterclockwise and then remove it (fig. 2).
 - Remove the shrink wrap from the new cartridge.
 - Insert the new cartridge into the housing to a stop and, pressing it slightly, rotate the cartridge clockwise to a click. (fig. 3).
- Rinse the filter according to the "After the filter is installed" section.

NOTE: If the filter wasn't used for more than 7 days, discard the filtered water for 5 minutes.

In case you're not sure about incoming water bacterial safety, you should boil the filtered water. Filtered water isn't supposed to be kept for a long time. Use fresh filtered water only. Do not expose the water filter to freezing temperatures. During storage, transportation and use of the filter protect it from falls. Do not expose the water filter to freezing temperatures.

Recycle according to local regulations.

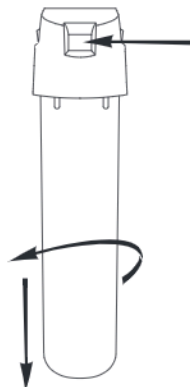


Fig. 2



Fig. 3

MANUFACTURER'S WARRANTY

The lifespan of water filter (except replacement cartridge) is 5 years from the date of manufacture*. After the end of the service life of the filter be replaced.**

Lifetime (resource) replacement filter cartridge K2 – 4000 liters but not more than 1 year.***

Lifetime (resource) replacement filter cartridge K7B – 3000 liters but not more than 1 year.***

Lifetime (resource) replacement filter cartridge installed to filter water, corresponding to the appropriate sanitary standards. The lifetime of replacement cartridge is calculated from the date of sale to the consumer it through retail network. Sale date (replacement filter) is a stamp shop in present manual or receipt. If the sale date set is not present, the service life of the cartridge is to be calculated from the date of manufacture of the replacement filter cartridge.

Storage period (with replaceable filter cartridge) to the beginning of operation – not more than 3 years at a temperature of +5 to +40 °C, without tampering with the packaging.

* Irrespective of the beginning of operation of the product.

** Date of manufacture-date type dd.mm.yyyy, which States the actuator manufacturer in the label placed on the rear of the manifold.

*** Use of end-of-life it may result in injury or damage to user or others and should be discontinued.

**** The period during which the manufacturer undertakes to provide consumers an opportunity to pay for use of the product on value and be responsible for significant drawbacks.

Warranty period**** exploitation of it (except for the replacement of the filtering cartridge) – 1 year from the date of sale. The manufacturer is exempt from warranty if lost this instruction with dates of manufacture and/or sale and there are no other ways to set the dates of operation.

The manufacturer is exempt from liability in the following cases:

- violations of consumer recommendations of installation (installation) of a product set out in the present instruction;
- if the replacement filter cartridge catering, was not replaced in a timely manner;
- exploitation of it in excess of the limits set out the technical requirements for the operation of the product (see instructions).

If there are claims or complaints of the water filter, it should return to your place of purchase or to the manufacturer. Complaints are not accepted on water filter with external damage. Water Purifier requires no presales.

AQUAPHOR®

Manufacturer: AQUAPHOR Corp.,
division of ELECTROPHOR INC.,
199 Priscilla Road Woodmere, NY, USA
11598 www.aquaphor.com

Certified title:

Water purifier Aquaphor model Crystal Solo;
Water purifier Aquaphor model Crystal Solo B.



The Quality Management System
is certified according
to ISO 9001.

The manufacturer reserves the right to make
improvements in the water purifier design without
depicting them in the product certificate.

Date of manufacturing and quality control(DD.MM.YYYY):

Aquaphor Crystal Solo _____

Aquaphor Crystal Solo B _____

**Date of purchase /
Retailer's stamp:** _____