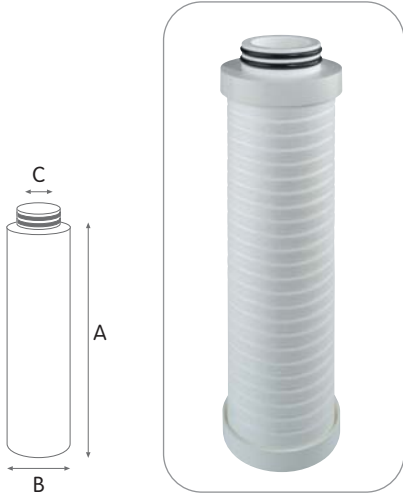
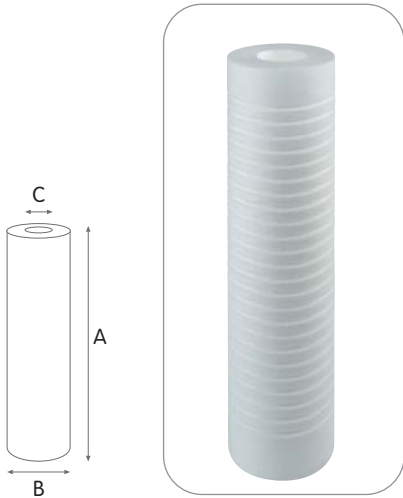




PP melt-blown polypropylene

Sediment filtration.
Average life-span: 3-6 months.
Maintenance: none.



PP are available in a variety of:

CONFIGURATIONS:

- SX standard configuration double open end (DOE) available for every height and diameter.
- BX proprietary configuration with double o-ring collar 45 mm, suitable to PLUS 3P BX housings, DP housings, K DP housings.

Other end-caps configurations (code C8, C7, P8) available on demand by minimum quantity.

MODELS:

- PP series 10" and 20" OD 2.40" ID 1.10", SX, BX configurations, other end-caps configurations available on demand by minimum quantity.

VARIANTS AVAILABLE ON MINIMUM QUANTITY:

- PP CX with double o-ring collar 57 mm, suitable to PLUS 3P CX, K DP housings.

CERTIFICATIONS



PP cartridges are tested and certified under the most stringent procedures worldwide, in compliance with DM 25 (Italy) and EAC (Russia).

WORKING CONDITIONS

Max working temperature _____ 80°C (176°F)
 Min working temperature _____ 4°C (39,2°F)

SPECIFICATIONS

Non-toxic materials, suitable for drinking water.
 Filter medium: polypropylene.
 End caps BX: polypropylene.
 O-rings BX: EPDM.

Atlas Filtri high efficiency melt-blown polypropylene cartridges are manufactured in specific plant which includes the standardization of production with dedicated software at every process' stage, thermal insulation at controlled temperature, full automation of the whole production line, from the raw-material loading to the finished product packing, without operator direct contact with the product, granting full hygienic safety. Certified raw materials, high productivity and quick delivery time, flexibility of production and custom made products complete the benefits of the range.

PP grooved cartridges are available at heights 10" and 20" with end-caps in various configurations. PP cartridges are made to comply with the most stringent regulations for applications in drinking water. Polypropylene is suitable to many industrial applications due to its wide chemical-physical compatibility to a variety of water-based solutions.

PP SX

POLYPROPYLENE MELT-BLOWN GROOVE CARTRIDGES WITH DOUBLE OPEN END (DOE)

| CODE | MODEL | NOMINAL HEIGHT | NOMINAL FILTRATION MICRON | RECOMMENDED FLOW RATE l/h | DIMENSIONS MM | | |
|----------------------------|-----------------|----------------|---------------------------|---------------------------|---------------|----|----|
| | | | | | A | B | C |
| OD 2,40" x ID 1,10" | | | | | | | |
| RA5706406 | PP 10 SX 1 mcr | 10" | 1 | 2000 | 250 | 61 | 28 |
| RA5706408 | PP 10 SX 5 mcr | 10" | 5 | 2000 | 250 | 61 | 28 |
| RA5706409 | PP 10 SX 10 mcr | 10" | 10 | 2000 | 250 | 61 | 28 |
| RA5706411 | PP 10 SX 25 mcr | 10" | 25 | 2000 | 250 | 61 | 28 |
| RA5706414 | PP 10 SX 50 mcr | 10" | 50 | 2000 | 250 | 61 | 28 |
| RA5707406 | PP 20 SX 1 mcr | 20" | 1 | 3000 | 505 | 61 | 28 |
| RA5707408 | PP 20 SX 5 mcr | 20" | 5 | 3000 | 505 | 61 | 28 |
| RA5707409 | PP 20 SX 10 mcr | 20" | 10 | 3000 | 505 | 61 | 28 |
| RA5707411 | PP 20 SX 25 mcr | 20" | 25 | 3000 | 505 | 61 | 28 |
| RA5707414 | PP 20 SX 50 mcr | 20" | 50 | 3000 | 505 | 61 | 28 |

PP BX

POLYPROPYLENE MELT-BLOWN GROOVE CARTRIDGES WITH DOUBLE O-RING COLLAR 45 MM

| CODE | MODEL | NOMINAL HEIGHT | NOMINAL FILTRATION MICRON | RECOMMENDED FLOW RATE l/h | DIMENSIONS MM | | |
|----------------------------|-----------------|----------------|---------------------------|---------------------------|---------------|----|----|
| | | | | | A | B | C |
| OD 2,40" x ID 1,10" | | | | | | | |
| RA5735206 | PP 10 BX 1 mcr | 10" | 1 | 2000 | 250 | 70 | 25 |
| RA5735208 | PP 10 BX 5 mcr | 10" | 5 | 2000 | 250 | 70 | 25 |
| RA5735209 | PP 10 BX 10 mcr | 10" | 10 | 2000 | 250 | 70 | 25 |
| RA5735211 | PP 10 BX 25 mcr | 10" | 25 | 2000 | 250 | 70 | 25 |
| RA5735214 | PP 10 BX 50 mcr | 10" | 50 | 2000 | 250 | 70 | 25 |
| RA5737206 | PP 20 BX 1 mcr | 20" | 1 | 3000 | 505 | 70 | 25 |
| RA5737208 | PP 20 BX 5 mcr | 20" | 5 | 3000 | 505 | 70 | 25 |
| RA5737209 | PP 20 BX 10 mcr | 20" | 10 | 3000 | 505 | 70 | 25 |
| RA5737211 | PP 20 BX 25 mcr | 20" | 25 | 3000 | 505 | 70 | 25 |
| RA5737214 | PP 20 BX 50 mcr | 20" | 50 | 3000 | 505 | 70 | 25 |

- 1 micron —
- 5 micron —
- 10 micron —
- 25 micron —
- 50 micron —

FLOW RATE vs PRESSURE DROP Δp

Tests carried on 10" elements type PP 10 SX.
 Testing mode: 20°C, 3 BAR

